

14366, 14385

Adjustable Strut Rods

67-76 Chrysler A-Body

1966-1970 Chrysler B-Body

1970-1974 Chrysler E-Body



Thank you for your purchase from our new line of B & E-Body parts.

Please call us at (877) 4NO - ROLL if you have any questions regarding the service or installation of your Hotchkis products.

Before You Start:

Please read the entire manual before starting. Most pictures shown are of the passenger side strut rod. Please perform the same procedure for the driver side.

1. Raise Vehicle

Raise the vehicle and put it up on jack stands. You may also use a 2-post or 4-post lift.

2. Disconnect the Front Sway Bar

If your car has a front sway bar, disconnect the front sway bar ends that attach to the lower control arms.

3. Disconnect the Strut Rod From the K-Member

Undo the strut rod nut accessible from the front of the K-member. You may discard this hardware.

4. Disconnect Strut Rod From Lower Control Arm

In order to get the stock strut rod out, you will need to shift the lower control arm toward the rear of the car to gain more room. First undo the nut securing the strut rod to the lower control arm. Retain this nut for reinstallation.

Loosen the torsion bar tensioner bolt located on the bottom of the lower control arm to relieve the load from the torsion bar.

Next, loosen and remove the main nut securing the lower control arm to the k-member.

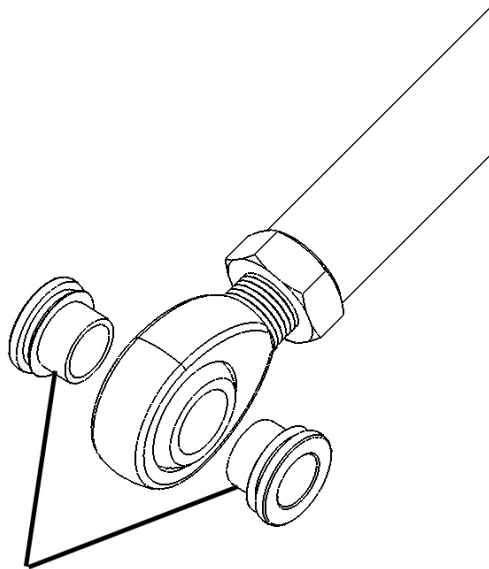
There is a snap ring at the rear end of the torsion bar that keeps it from moving back. Remove the snap ring and shift the torsion bar 3-4" towards the back.

You should be able to shift the lower control arm slightly towards the back allowing you to pop out the strut rod end out of the lower control arm hole.

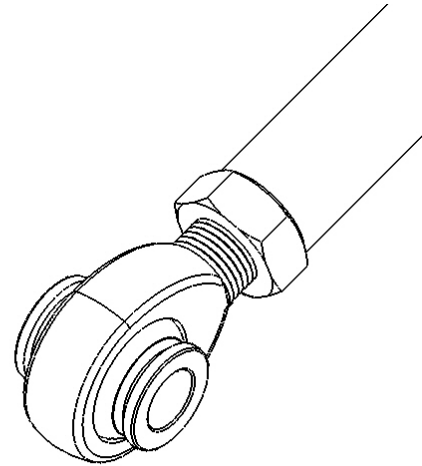
The stock strut rod should be free from the vehicle.

5. Install Clevis Assembly onto Strut Rod

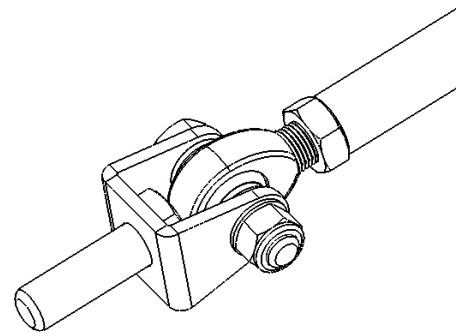
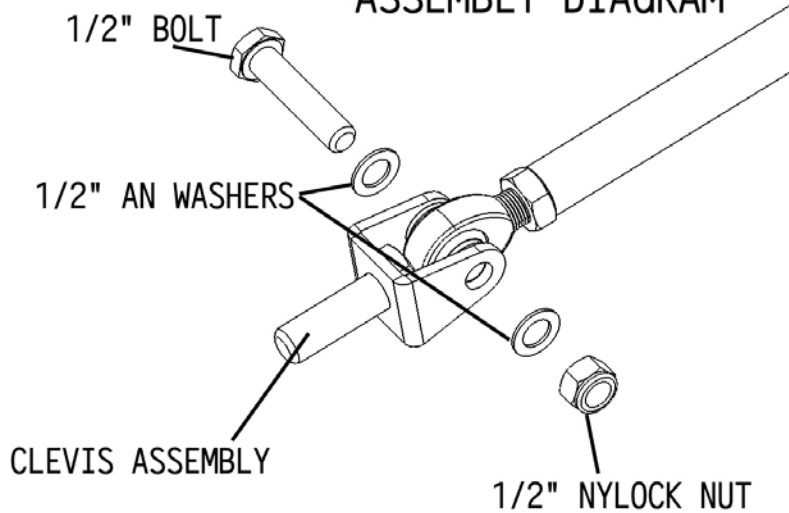
Install 2 misalignment spacers onto the heim joint. Insert the 1/2" bolt, washers and nuts onto the clevis assembly attaching the clevis to the heim joint. Fully tighten the 1/2" bolt



MISALIGNMENT SPACERS



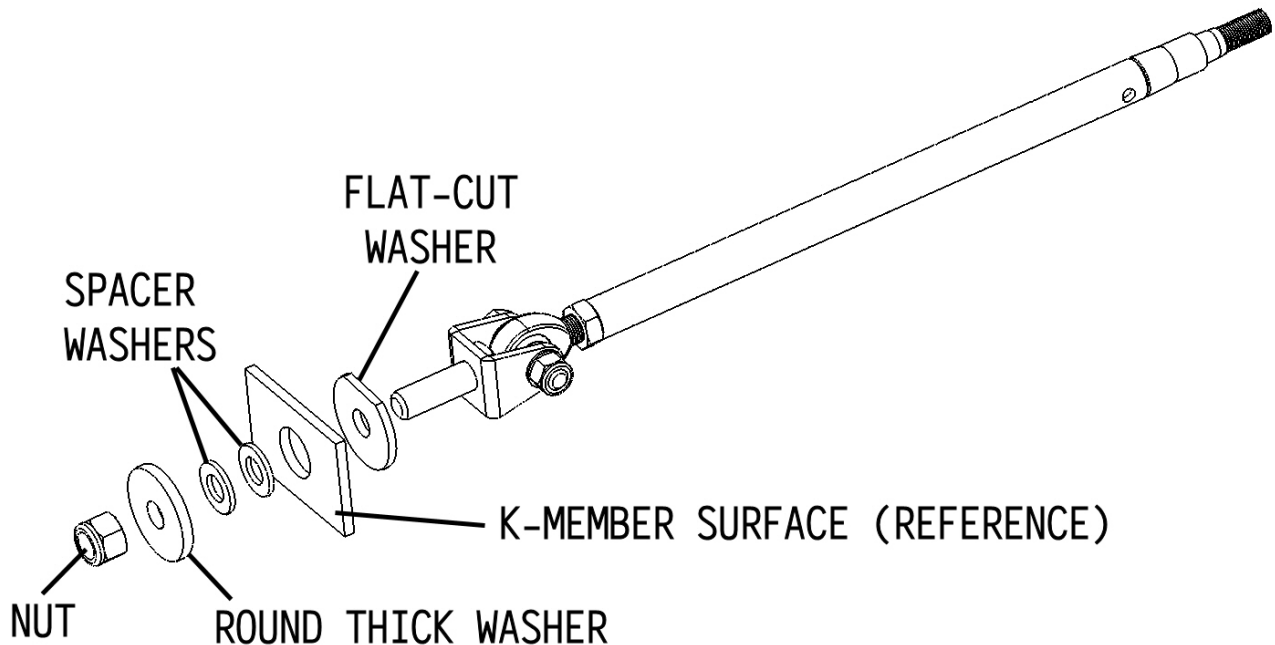
ASSEMBLY DIAGRAM



6. Install the Strut Rod

We'll start by bolting in the front end first. Following the diagram below to see the order of parts.

ASSEMBLY DIAGRAM



Install the large flat-cut washer onto the clevis stud and insert the front mount into the k-member hole.

If needed, rotate the flat-cut washer to alleviate any clearance issues with the sheet metal.

You will notice that the k-member hole is much larger than the clevis stud. This is ok, since you will be inserting 2 spacer washers from the front side of the k-member to take up the gap. The spacer washers will fit inside the k-member sheet metal.

Once the spacers are in place, install the large round washer and 5/8" nylock nut.

Moving on to the rear mount, insert the rear stud into the lower control arm hole. Do not install the stud nut at this time.

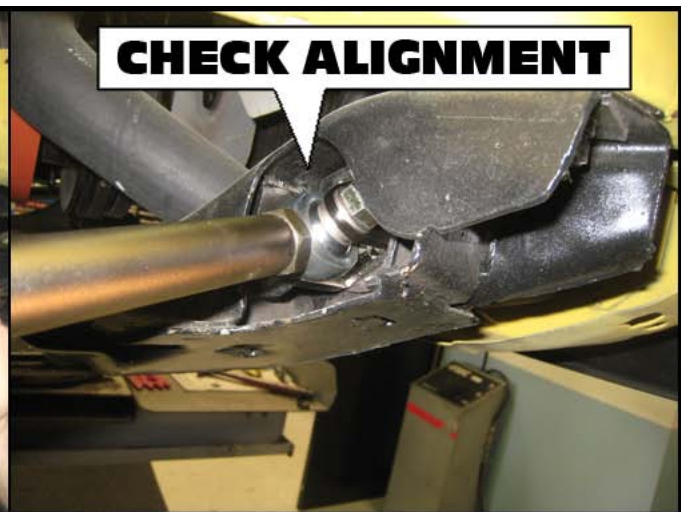
Reinstall the lower control arm back onto the k-member. Push the torsion bar forward and insert it into the lower control arm pin hex.

Next rotate/thread the strut rod body in or out to a desired length. You can dial in more positive caster by shortening the strut rod. Do not over extend the strut rod past the recommended length (see diagram below). Fully tighten the rear strut rod nut.



Center the heim joint so that it is not twisted one way or another. Tighten the heim joint jam nut.

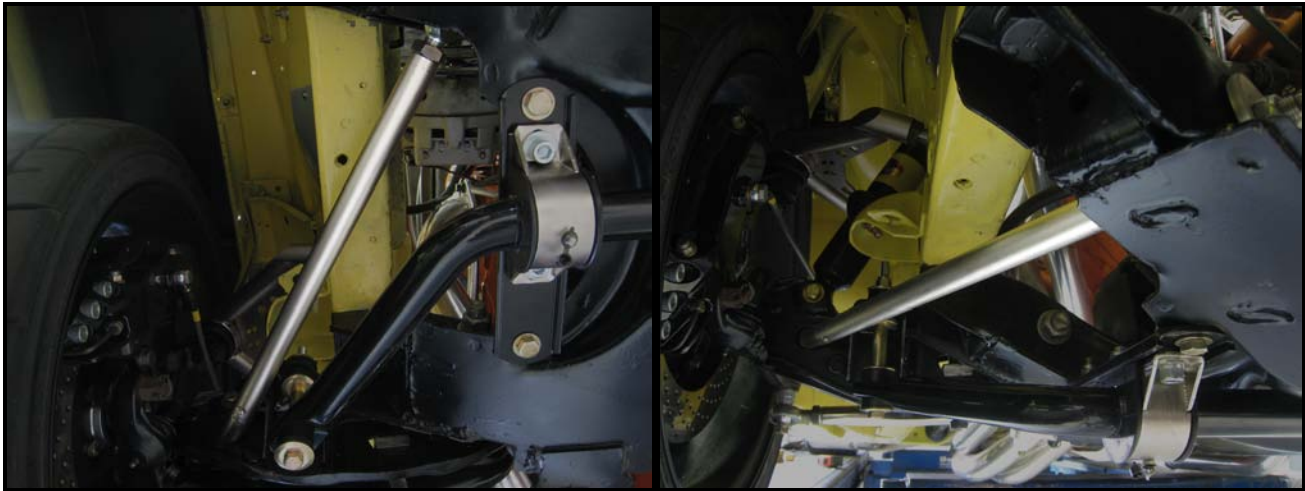
Fully tighten the front strut rod 5/8" nut you installed earlier. To avoid spinning the clevis while tightening, use a pry bar to hold the clevis.



Restore torsion bar snap ring. Adjust the torsion bar tensioner back to where it was for proper pre-load.

7. Repeat on Drivers Side

Repeat the steps on the driver's side and you're done!



Hotchkis Performance LLC Return Policy & Limited Warranty

Effective December 1, 2010 all Hotchkis products must be registered to qualify for warranty at www.hotchkis.net or via the mail-in warranty card, included with the product, within 30 days of the original purchase date.

IMPORTANT: This warranty supersedes all other warranties included with this product.

Return Policy

We want you to be completely satisfied with your Hotchkis Performance product. For products, presenting signs of shipping damage please contact the freight carrier immediately. All our products are guaranteed to be free from manufacturer's defects. If your order arrives with a manufacture defect, please contact our Customer Service Department at (562) 907-7757. You will be assigned a Returned Goods Authorization Number (RGA). The package you return must show the RGA on the outside of the package, include the original invoice and be shipped prepaid to our facility. The product has to be unused and in its original packaging materials. Exchanges or refunds made after 30 days will be subject to a 20% restocking charge. **If you purchased your Hotchkis Performance product from an authorized dealer, you are still covered by this return policy. All returns however, should be made to your dealer, not to Hotchkis Performance directly.**

Limited Warranty

Hotchkis Performance offers a Limited Warranty against defects in materials and workmanship for the term of 36 months (3 years) from the date of purchase of this product. This Warranty only applies to the original retail purchaser who retains ownership of the vehicle on which the product was originally installed. If the product is determined to be defective, Hotchkis Performance will repair, replace or refund the purchase price of the defective product at Hotchkis Performance's sole discretion, which shall fully satisfy and discharge any and all warranty claims. Any repaired or replaced product will be returned to the sender excluding the cost of freight. **Products must be registered to qualify for warranty at www.hotchkis.net or via the mail-in warranty card, included with the product, within 30 days of the original purchase date.**

Exclusions from Warranty

Items offered but not manufactured by Hotchkis Performance are warranted according to the manufacturer's terms and are not covered by this limited warranty. Hotchkis Performance shall not be responsible for any labor, removal, installation, re-installation or maintenance costs. This warranty does not cover the cosmetic finish or plating of any product or any normal wear and tear to any product including, but not limited to bushings, brackets, end-links, hardware, steering components, shocks or springs. In addition, this warranty does not apply to any products that have been:

- **Improperly installed or installed by someone other than a qualified, licensed auto mechanic experienced in the installation and removal of suspension products;**
- **Improperly serviced, misused, or modified, altered or subjected to abuse, negligence, accident or collision;**
- **Installed in any vehicle that has been modified;**
- **Installed on any vehicle that has carried loads in excess of automobile manufacturer suggested weight limits; or**
- **Installed on any vehicle that has been subject to abnormal or excessive use, including rallying, racing, or racing-type activities or off-road use.**

Limitation of Warranty

This limited warranty is the entire and only warranty for the products and may not be modified or supplemented by any other person or company in any form. Any description of the products, by anyone, is for the sole purpose of identifying them and is not part of the basis of the bargain, and does not constitute a warranty that the products will conform to that description. The statements of any salesperson do not constitute part of this limited warranty and cannot be relied upon as a warranty.

THERE ARE NO WARRANTIES, EXPRESSED OR IMPLIED, INCLUDING ANY IMPLIED WARRANTIES OF MERCHANTABILITY OR FITNESS FOR A PARTICULAR PURPOSE, WHICH EXTEND BEYOND THE DESCRIPTION ON THE FACE HEREOF. ANY IMPLIED WARRANTIES ARE DISCLAIMED TO THE FULLEST EXTENT PERMITTED BY LAW. THIS WARRANTY DOES NOT COVER CONSEQUENTIAL DAMAGES, LOSS OF TIME OR REVENUES, INCONVENIENCE, LOSS OF USE OF THE VEHICLE, DAMAGE TO THE VEHICLE OR COMPONENTS OF THE VEHICLE, ANY OTHER TYPE OF CONSEQUENTIAL DAMAGES, OR OTHER INCIDENTAL OR INDIRECT DAMAGES. HOTCHKIS' MAXIMUM LIABILITY UNDER THIS WARRANTY SHALL IN NO EVENT EXCEED THE PURCHASE PRICE OF THE PRODUCT. Some states do not allow limitations on how long an implied warranty lasts or the exclusion or limitation of incidental or consequential damages and in such states the above limitations or exclusions may not apply. This limited warranty gives the purchaser specific legal rights and the purchaser may have other rights that may vary from state to state.

Technical Information

Hotchkis Performance makes every effort to ensure that you are provided with the most accurate and up-to-date technical information. However, all technical information is approximate and may vary upon application. Additional suspension components may be needed in some applications, depending upon the make, model, engine and chassis of the vehicle. Hotchkis Performance is not responsible for any consequences resulting from manufacturer's technical mid-year changes. Hotchkis Performance products should only be installed by a qualified, licensed auto mechanic experienced in the installation of such products.

Warranty Claim Procedure:

The answer to ALL the following questions should be YES before making a warranty claim:

- Did you register the product at www.hotchkis.net or via the mail-in warranty card within 30 days of purchase?
- Is the product appropriate to your application?
- Did you carefully and thoroughly read the instructions provided along with the product?
- Do you have the original invoice or sales receipt?
- Is the return date within 36 months from the purchase date?
- Are you the original purchaser?
- Was the product properly installed by a qualified, licensed auto mechanic?
- Has the product been installed on the original vehicle on which it was installed at all times?
- Is the product unmodified and clean?
- Is the reason for return a legitimate product defect?

If the answer to all these questions is YES, please contact our Customer Service Department at (562) 907-7757. You will be given a Returned Goods Authorization Number (RGA) valid for 60 days. You will also be asked to ship the product prepaid to our facility. All shipments MUST be (i) prepaid, (ii) include the original invoice or sales receipt, (iii) show the RGA on the outside of the package and (iv) include your name, address, make and model of the vehicle, and a brief description of the claimed defect, including the circumstances under which the defect occurred. If the warranty claim is deemed valid then Hotchkis will estimate shipping costs to return the repaired or replacement part and contact you for payment. Hotchkis's Limited warranty requires that any repaired or replaced product will be returned to the sender excluding the cost of freight. Warranty related inquires should be sent to the following address:

**HOTCHKIS PERFORMANCE, LLC
C/O CUSTOMER SERVICE
8633 Sorensen Avenue
SANTA FE SPRINGS, CA 90670**

Hotchkis Performance will not accept product returns without the RGA number, receipt and the information described above. C.O.D. or collect shipments will be refused. Once the returns are received at Hotchkis Performance, we will evaluate the products, verify the sales receipt, and investigate the warranty claim. Any repaired or replaced product will be returned to the sender.

**Effective December 1, 2010. This return policy and limited warranty supersedes all previous policy and warranty statements. Policies and warranties are subject to change without notice.
Hotchkis Performance is not responsible for printing errors.**