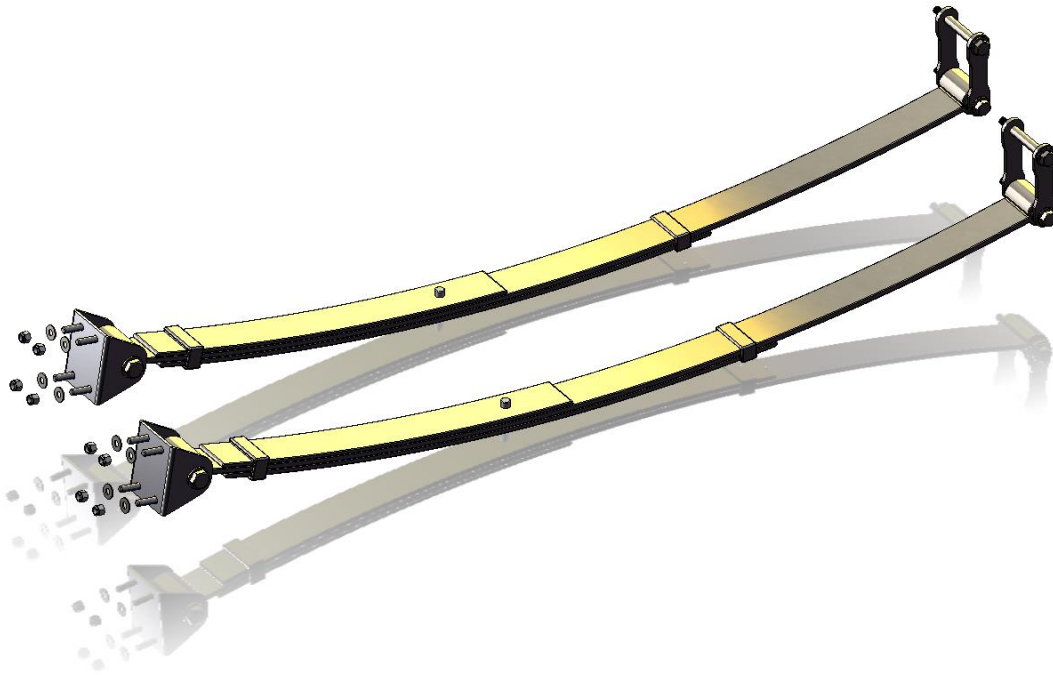


## *Rear Leaf Spring Kit 24368* *71-72 Chrysler B-body*



*Thank you for your purchase from our new line of Mopar parts.  
Please call us at 877 - 4NO - ROLL if you have any questions  
regarding the service or installation of your Hotchkis Performance products.*

**IMPORTANT: PLEASE READ THE ENTIRE INSTRUCTION MANUAL BEFORE STARTING THIS INSTALLATION.**

**1. *Raise the Vehicle***

Raise the vehicle and safely secure it on jack stands.

**2. *Disconnect Rear Shock***

Disconnect the lower shock mount nut for each rear shock. You do not have to disconnect the upper mounts

**3. *Disconnect Stock U-Bolts***

Disconnect the stock U-bolts that secure the differential tubes to the leaf springs. It is very common for these u-bolts to be difficult to unfasten. In many cases it is necessary to cut the u-bolts with a cut-off wheel in order for removal. You Hotchkis kit comes with replacement u-bolts.

**4. Support the Pumpkin**

Slide a floor jack underneath the rear end to relieve the differential/wheel weight off of the leaf springs.

**5. Unfasten Rear Shackles**

Unfasten the rear leaf spring shackles, but do not disconnect.

**6. Disconnect the Front Leaf Mount**

The front leaf spring mount has 4 studs and mounts to the chassis. Undo the 4 nuts for each mount to detach it from the chassis. It helps if someone can help with holding up the leaf spring at this time.

**7. Remove Leaf Springs**

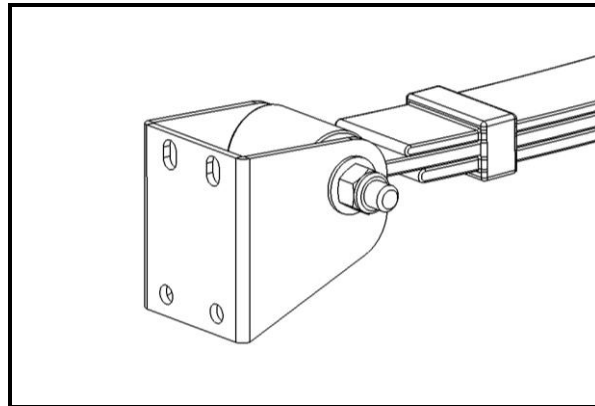
With the front mount disconnected, shift the leaf spring inboard to unhook the rear leaf eye from the shackle bolt. The leaf should be free from the car.

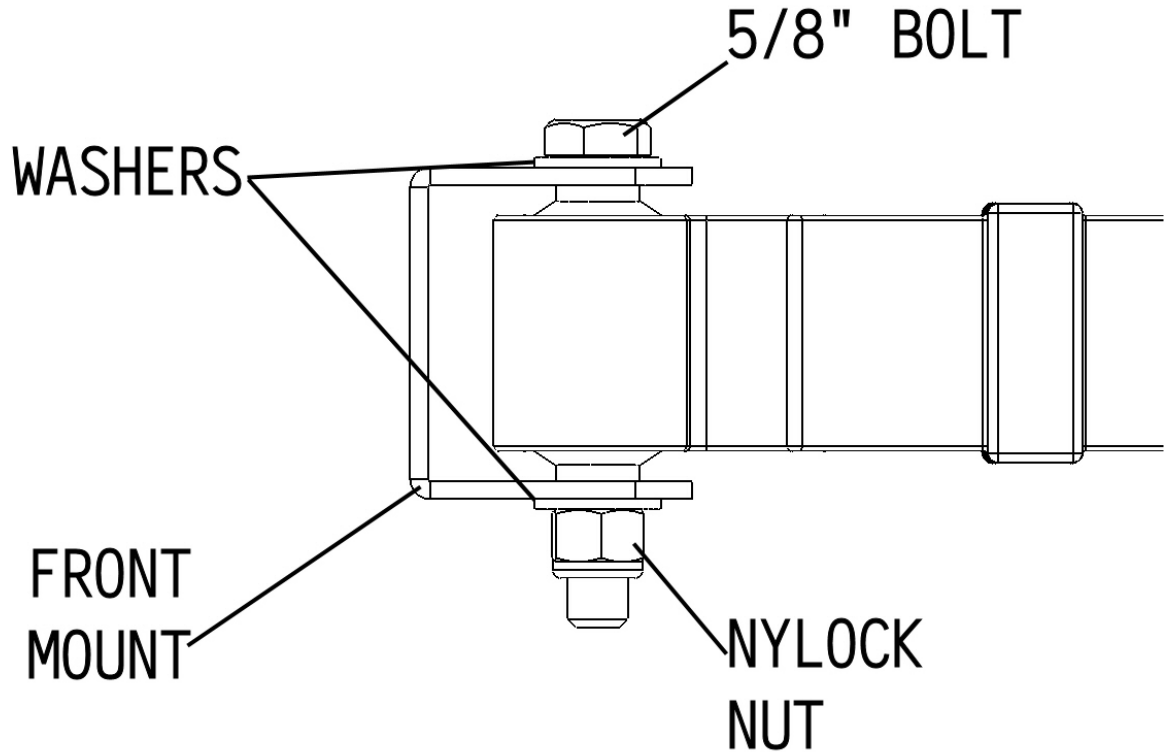
**8. Assemble the Hotchkis Leaf Springs**

Your new Hotchkis Leaf Spring kit comes with new front mounts, u-bolts, and hardware. If you would like to replace your old rusty shackles you can purchase our new shackle kit which includes new powdercoated shackles, hardware and polyurethane bushings.

Assemble the front mount and leaf spring together using the large 5/8" bolt and hardware. Snug the 5/8" nuts, but do not fully tighten yet.

See diagram below:

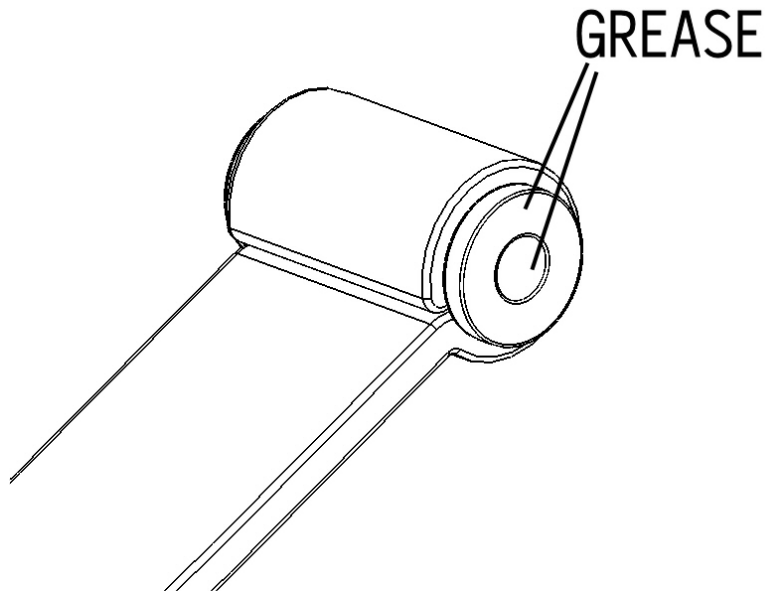




*Diagram shows Driver Side with the 5/8" bolt pointing outboard.*

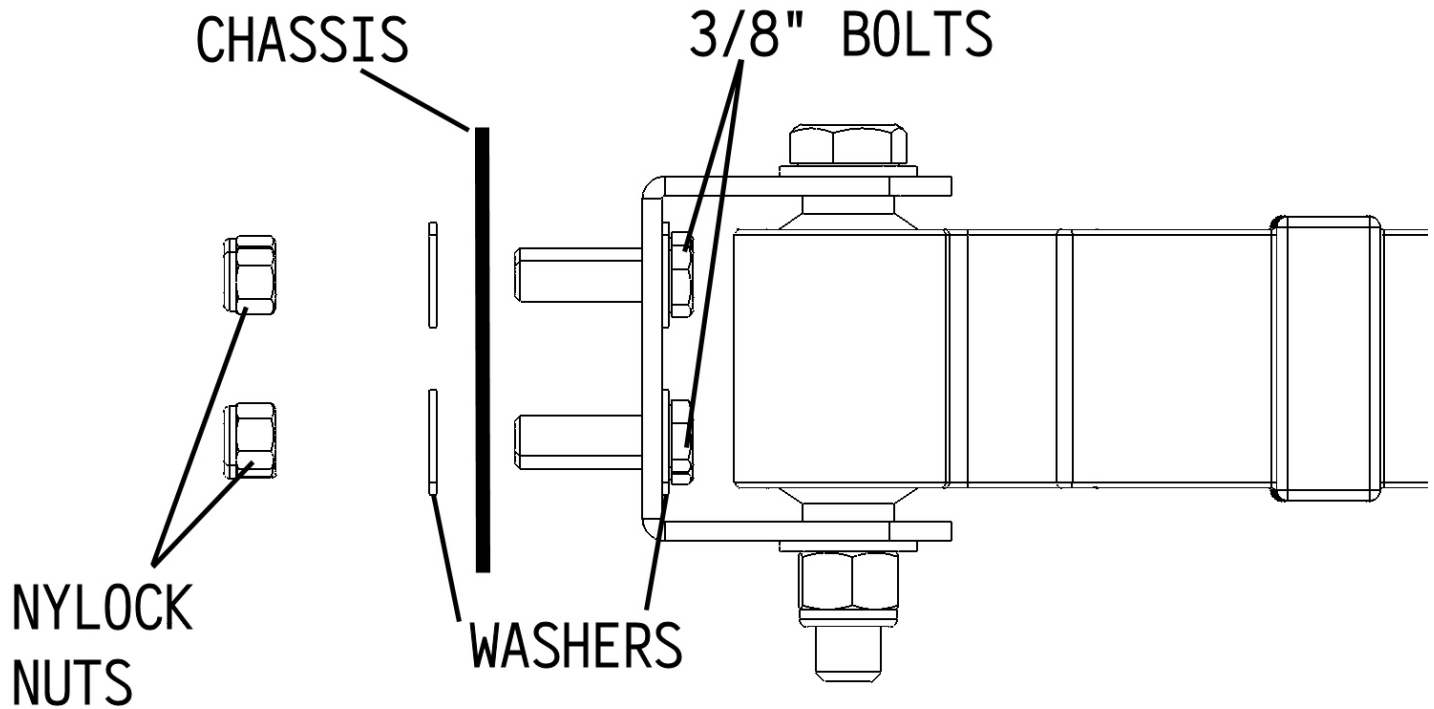
**9. Install Rear Bushings**

Your new Hotchkis Leaf Spring kit comes with new rear bushings. Insert the bushings into the rear eye of the leaf spring and grease the side surfaces and the inner hole with the supplied lube.



**10. Reinstall Hotchkis Leaf Springs**

Your new leaves are ready to be installed. Reinstall the leaf spring in the same manner as stock removal. Position the leaf spring in place by hooking the rear eye onto the shackle bolt and then mating the front bracket mount to the chassis. Insert the included 3/8" hardware to secure the front mount to the chassis. See diagram below:



**10. Tighten hardware**

Fully tighten all of the 3/8" hardware for the front mount and rear shackles bolts.

Lower the floor jack and align the leaf spring center bolt with the rear end mount. Reassemble the u-bolts in the same manner as removal. Tighten each u-bolt nut little at a time to ensure even load on each nut. A heavy duty 1/2" impact gun works well for this application.

Use your floor jack to jack up the rear end so that the rear of the vehicle just lifts off the rear jack stands. This allows the leaf springs to be loaded at normal ride height. You can now fully tighten the 5/8" hardware in the front mount.

Reattach the shocks to the lower mounts and you are finished. Lower the vehicle back onto the ground and enjoy your new leaf springs.

All information contained herein is subject to change without notice. BUYER'S ACCEPTANCE OF DELIVERY OF THE PRODUCT CONSTITUTES BUYER'S ACCEPTANCE OF THE TERMS HEREIN. ANY ADDITIONAL OR DIFFERENT TERMS PROPOSED BY THE BUYER ARE HEREBY REJECTED IN THEIR ENTIRETY UNLESS EXPRESSLY AGREED TO IN WRITING BY SELLER'S AUTHORIZED AGENT.

**TERMS**

Prepaid, Visa, MasterCard. Net 30 days from invoice date terms are available after credit approval. Accounts with invoices past due will be placed on "Credit Hold". A finance charge of 1.5% per month will also be applied to all past due invoices, not to exceed the maximum charge permitted by law. Accounts are considered paid in full upon Hotchkis Performance Inc.'s receipt of the full invoice amount plus collection fees and expenses incurred, if any. NSF checks stop payment checks, chargebacks on credit cards, etc. are charged a minimum of \$35 fee. No deduction or credit may be taken for any reason unless a credit memo has been issued by Hotchkis Performance Inc. Any unauthorized deduction will automatically put the account on credit hold. Other product special orders require a 50% down payment and are also non-cancelable and non-returnable.

**DROP SHIPMENTS & REFUSED PACKAGES**

Drop shipments are charged a \$30 service charge. A 20% restocking fee and all shipping costs are charged to the ordering party if a package is refused. No international drop shipments.

**RETURNS**

All returns are subject to prior authorization from Hotchkis Performance Inc. Once authorized, a Return Merchandise Authorization ( R.M.A ) will be issued. All authorized returns must have the R.M.A number on all cartons and shipping documents. Returned product must be shipped prepaid – collect shipments will be refused. Modified or used products are not eligible for return. Returns **MUST** be made within 90 days of invoice date and are subject to a **20% restocking fee. No returns are accepted after 90 days.** Freight charges are not refundable unless the merchandise is defective as determined by Hotchkis Performance Inc. Special orders are not returnable.

**DAMAGED SHIPMENTS / SHORTAGES**

All Hotchkis Performance Inc.'s shipments are F.O.B. our factory. Title passes from Hotchkis Performance Inc. to the purchaser at the time is shipment initiated. Claims for Carton shortages and damages must be made against the carrier at the time of delivery. To expedite processing of claims against the carrier, the customer must note damages on the bill of lading at the time of the delivery, and promptly request an inspection by the carrier or its claims agent. If a shortage is found within the shipment, it must be reported to Hotchkis Performance Inc. in writing within five (5) business days of receipt of shipment. Claims need to include the following information order number, invoice number, date of invoice, date of shipment, part number, description and carton count.

**PRODUCT SUBSTITUTION / OTHER**

Hotchkis Performance Inc. reserves the right to substitute equal or better materials or products at its discretion. Hotchkis Performance Inc. reserves the right to change specifications and other information included in this catalog without notice. All information, data and dimension tables in this catalog have been carefully compiled and thoroughly checked. However, no responsibility for errors or omissions can be assumed. Some parts may not be legal for sale or use in certain states, including California, on certain pollution-controlled motor vehicles. It is the purchaser's responsibility to determine if any parts they purchase are suitable for their particular locale and use.

**WARRANTY / DISCLAIMER**

Hotchkis Performance Inc. warrants that the products will be free from defect in material and workmanship for three years from date of sale to the original purchaser. Hotchkis Performance Inc. makes no other warranty of any kind, express or implied. Hotchkis Performance Inc. shall have no obligation under the forgoing warranty where the defect is the result of improper or abnormal use, user's negligence, vehicle accident, improper or incorrect installation or maintenance, nor when the product has been repaired or altered in any way. Hotchkis Performance Inc.'s liability in the case of defective products subject to the forgoing warranty shall be limited solely to the repair or replacement, at Hotchkis Performance Inc.'s option, of the defective products. Hotchkis Performance Inc. will be the sole judge of the validity of warranty claims.

Consequential or incidental damages are not recoverable under this warranty. Some states do not allow the exclusion or limitation of incidental or consequential damages, so the above limitation or exclusion may not apply to you. This warranty gives you specific legal rights, and you may also have other rights which vary from state to state.

**In order to be eligible for service under this warranty, the defective part(s) must be returned to Hotchkis Performance Inc. by the original purchaser together with the R.M.A number issued from Hotchkis Performance Inc. and a copy of the receipt showing purchase within past 3 years.** Tag each item with the part number and the specific explanation of defect. We will inspect the part and determine: a) if it is eligible for repair or replacement; and, b) if so, whether to repair or replace it. All returns must be shipped **prepaid to:**

Hotchkis Performance Inc.  
RMA # \_\_\_\_\_  
118 Infield Court  
Mooresville, NC 28117

Hotchkis Performance Inc. will return all products covered under warranty to you by ground freight at Hotchkis Performance Inc.'s expense. Any expedited freight is the responsibility of the customer.

THE BUYER UNDERSTANDS AND EXPRESSLY RECOGNIZES that ALL parts and services sold by Hotchkis Performance Inc. are exposed to many and varied conditions due to the manner in which they are installed and used. BUYER ACKNOWLEDGES that HOTCHKIS PERFORMANCE INC. does not have full knowledge of the intended use of goods, and BUYER WILL DEFEND AND INDEMNIFY HOTCHKIS PERFORMANCE INC. upon demand against all claims, actions, liability, loss and expense (including investigating expense and attorney fees incurred in litigation or because of threatened litigation) for any loss, damage or injury, either to a person or to property, resulting from the direct or indirect use of any Hotchkis Performance Inc. products or inability by the buyer to determine proper use or application of Hotchkis Performance Inc. products. With the exception of the limited liability warranty set forth above. Hotchkis Performance Inc. SHALL NOT BE LIABLE FOR ANY CLAIMS, DEMANDS, INJURIES, DAMAGES, ACTIONS, OR CAUSES OF ACTION WHATSOEVER TO BUYER ARISING OUT OF OR CONNECTED WITH THE USE OF ANY HOTCHKIS PERFORMANCE INC. PRODUCTS

MOTORSPORTS AND SIMILAR ACTIVITIES ARE DANGEROUS; AS SUCH, NO WARRANTY OR REPRESENTATION IS MADE AS TO THE PRODUCT'S ABILITY TO PROTECT THE USER FROM INJURY OR DEATH. THE USER ASSUMES THAT RISK