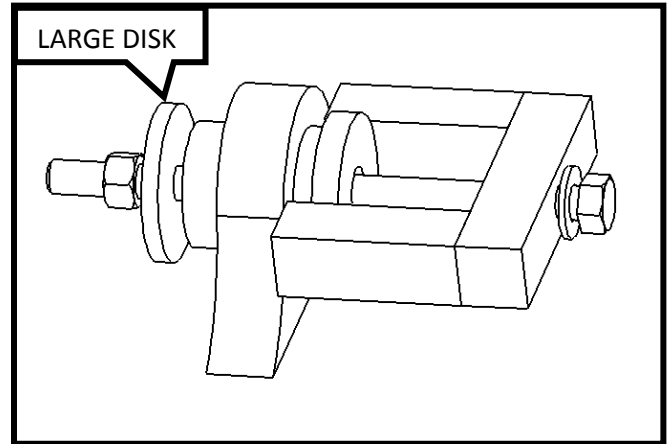


Bushing Removal/Installer Kit 32101

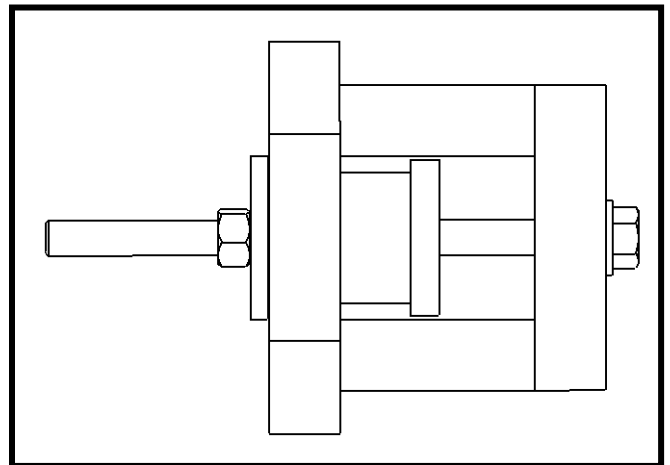
Bushing Removal

Be sure to clean the mount and old bushing. Use a penetrating oil to aid in removal.

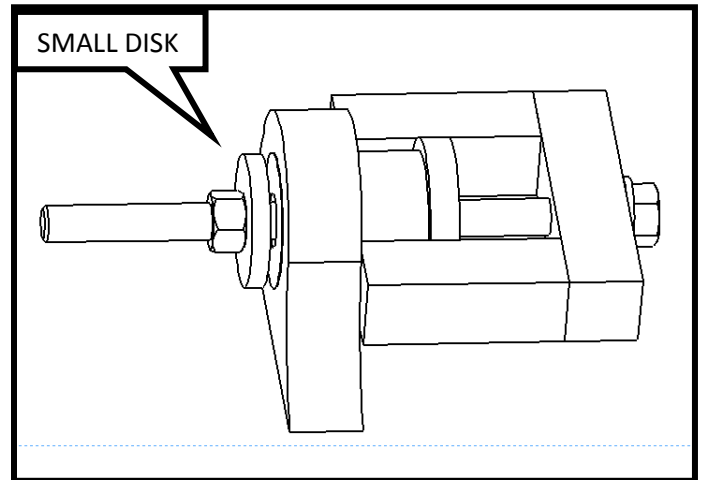
Step 1: To remove the bushing, place the tool on the rear of the bushing mount with the larger disk on the opposite side. Spray penetrating oil on the bushing shell.



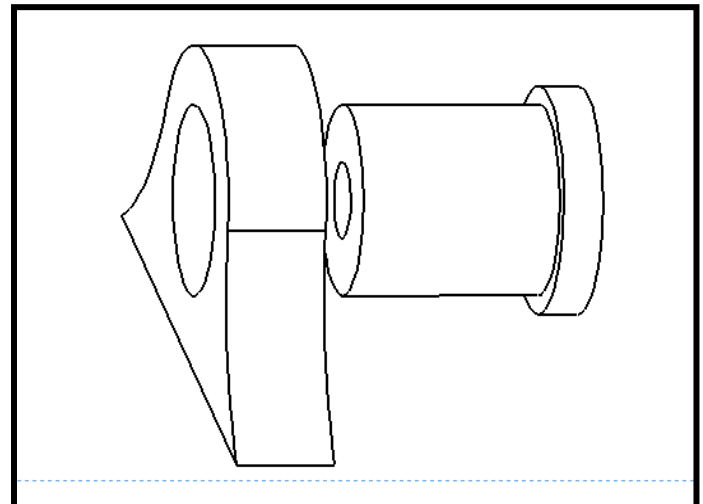
Step 2: Tighten nut until the large disk is up against the bushing mount.



Step 3: Replace the large disk with the smaller disk. This disk will fit inside the bushing mount hole and allow you to remove the bushing completely.



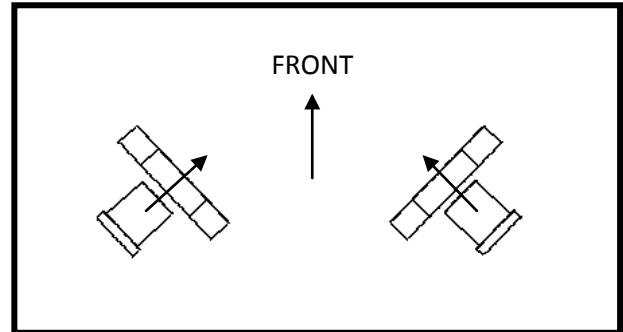
Step 4: Tighten the nut until the bushing is free to remove.



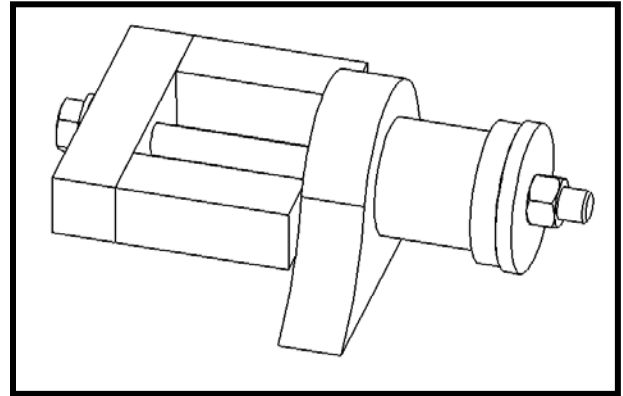
Bushing Installation

Be sure the bushing mount hole is clean and free of burs before installation.

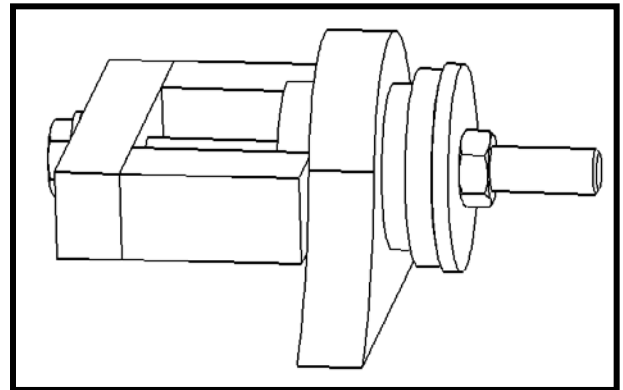
NOTE: Bushings should be installed as shown.



Step 1: Place the tool on the front of the bushing mount and the large disk on the rear.



Step 2: Tighten the nut until the bushing is pressed securely into the mount. The bushing will not be pressed all the way to the flange due to the increase in diameter of the can. This is normal.



Step 3: Remove bushing tool.

